

# Solenoid valve

## Suitable for: Scania

Art. no.: 1.13078

replaces 2038653

Product Link: <https://dtpi.de/1.13078>



[www.dt-spareparts.com](http://www.dt-spareparts.com) · Art. 1.13078



### 360° view

A movable precise-engineered piston in the cavity-free aluminium valve unit controls the volume of air allowed into the deburred pneumatic connections. The control mechanism depends on the flow of current across the magnetic coil. Its high-quality finish guarantees a wide operating temperature range of between  $-40^{\circ}\text{C}$  and  $+100^{\circ}\text{C}$ .

### Further links

## Similar articles from the product range of the brand DT Spare Parts

Note: Accessories are listed on the respective article detail page in the Partner Portal.

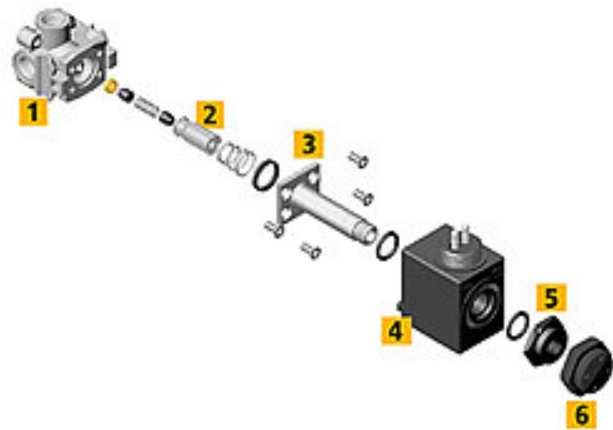
### Tips & tricks

A fault with the item is often caused by dirt or contact problems with the electrical plug. Important: assess the extent of damage on the solenoid valve after being dismantled. Install the compressed air connections with new seals. Check the vehicle's electrical control mechanism on the connector.

Inspect the electrical connector for damage and corrosion/oxidation. If it is damaged, assemble a new connector (DT 4.61213). Assemble the connector in a way that prevents moisture from getting into the contacts.

### Construction of the solenoid valve

1. Valve unit
2. Piston
3. Connector
4. Electromagnet
5. Nut
6. Cover plug



[Request article or order in Partner Portal](#)

### DT Spare Parts

The brand DT Spare Parts from Germany provides a complete range of vehicle parts and accessories with a 24 month guarantee – no matter whether for trucks, trailers, buses, transporters or further applications, e.g. cars, agricultural vehicles, construction vehicles, marine or industrial applications. The guaranteed brand quality is achieved through the consistent product optimisation and relentless quality assurance within the framework of the Diesel Technic Quality System (DTQS).

More info: [www.dtqs.de](http://www.dtqs.de)