

Headlamp, left

Suitable for: MAN

Art. no.: 3.31016

replaces 81.25101.6747

Product Link: <https://dtpi.de/3.31016>



www.dt-spareparts.com - Art. 3.31016

360° view

In the main headlamps 3.31016 and 3.31017, the required lighting pattern for driving beam and passing beam is generated by bundling the light beams.

In order to drive safely, especially in the dark, it is necessary to use high-performance main headlamps. The main headlamps 3.31016 and 3.31017 are certified under ECE Standard 112 and generate a high-quality lighting pattern. Besides driving and passing beam, these headlamps also perform the functions of blinking lights, daytime running lights and parking lights. Seals between the housing and headlamp glass as well as on the connections prevent moisture from getting in.

Further links

Similar articles from the product range of the brand DT Spare Parts

Note: Accessories are listed on the respective article detail page in the Partner Portal.

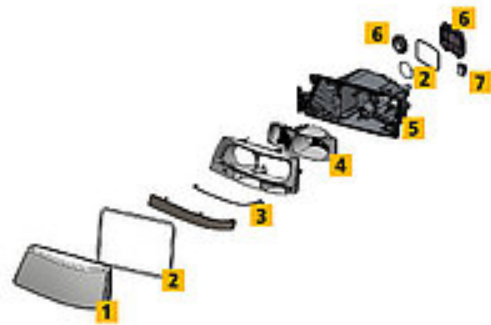
Tips & tricks

When changing the main headlamp, it is recommended to equip the new headlamp with new, high-quality lamps to get the maximum light output. Before installation, the vehicle's connector and cable should be checked visually for damage and corrosion. When installing the new headlamp, attention must be paid that this is not installed tensed and is aligned with the headlamp frame.

After all functions of the headlamp have been checked, the light must be installed with the aid of an installation device according to the manufacturer specifications. This is necessary to perfectly illuminate the road in the dark without dazzling other road users.

Main headlamp structure

1. Headlamp glass, left 3.31027
2. Seal
3. Light conductor for LED parking light
4. Reflector
5. Housing
6. Cover
7. LED unit 3.32075



[Request article or order in Partner Portal](#)

DT Spare Parts

The brand DT Spare Parts from Germany provides a complete range of vehicle parts and accessories with a 24 month guarantee – no matter whether for trucks, trailers, buses, transporters or further applications, e.g. cars, agricultural vehicles, construction vehicles, marine or industrial applications. The guaranteed brand quality is achieved through the consistent product optimisation and relentless quality assurance within the framework of the Diesel Technic Quality System (DTQS).

More info: www.dtqs.de